

Cable Glands

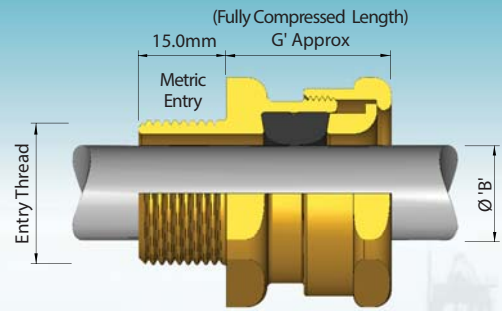
Hazardous Area

Flameproof Exd, Increased Safety Exe & Dust Extb
Dual Certified ATEX / IECEx

501/421

Application

The 501/421 cable gland provides a seal on the outer cable sheath and is intended for use on non-armoured elastomer and plastic insulated cables. The cable gland is certified Exd, Exe and Extb, suitable for installation in Zone 1 (21) and Zone 2 (22) hazardous areas.



CABLE GLAND SELECTION TABLE

Size Ref.	Entry Thread Size		Cable Acceptance Details				'G'	Hexagon Dimensions	
	Metric	NPT * Standard or Option	Outer Sheath 'B'					Across Flats	Across Corners
			Standard Seal		Alternative Seal (S)				
			Min.	Max.	Min.	Max.			
2K	M16	-	3.2	8.0	-	-	23.5	19.0	21.2
Os	M20 ²	½"	3.2	8.0	-	-	23.8	24.0	26.5
O	M20 ²	½"	6.5	11.9	-	-	23.8	24.0	26.5
A	M20	¾" or ½"	10.0	14.3	8.5	13.5	24.8	30.0	32.5
B	M25	1" or ¾"	13.0	20.2	9.5	15.4	25.8	36.0	39.5
C	M32	1¼" or 1"	19.5	26.5	15.5	21.2	28.2	46.0	50.5
C2	M40	1½" or 1¼"	25.0	32.5	22.0	28.0	29.5	55.0	60.6
D	M50	2" or 1½"	31.5	44.4 / 42.3 ¹	27.5	34.8	40.4	65.0	70.8
E	M63	2½" or 2"	42.5	56.3 / 54.3 ¹	39.0	46.5	38.2	80.0	88.0
F	M75	3" or 2½"	54.5	68.2 / 65.3 ¹	48.5	58.3	40.5	95.0	104.0
G	M80	3½"	67.0	73.0	-	-	41.0	106.4	115.0
H	M90	3½"	67.0	77.6	-	-	41.0	115.0	130.0
J	M100	4"	75.0	91.6	-	-	41.0	127.0	142.0

All dimensions in millimetres (except * where dimensions are in inches). 2K - F size metric entry threads are 1.5mm pitch as standard, 15mm length of thread. For G size glands and above, a 2mm pitch is supplied as standard, 20mm length of thread (1.5mm pitch with 15mm length of thread can be supplied) please specify when ordering.

¹ Smaller value is applicable when selecting reduced NPT entry option.

² Sizes Os and O are available with an M16 thread size. For O size with M16 thread, the maximum cable outer sheath diameter is 10.9mm

Technical Data

- Flameproof Exd IIC Gb, Increased Safety Exe IIC Gb and Dust Extb IIIC Db Ex II 2 GD.
- Certificate No's: Baseefa06ATEX0056X and IECEx BAS 06.0013X.
- Suitable for use in Zone 1, Zone 2, Zone 21, Zone 22 and in Gas Groups IIA, IIB and IIC.
- Construction and Test Standards: IEC/EN 60079-0, IEC/EN 60079-1, IEC/EN 60079-7 and IEC/EN 60079-31.
- Ingress Protection: IP66, IP67 and IP 68 (30 metres for 7 days) to IEC/EN 60529 and NEMA 4X.
- Deluge Protection to DTS01.
- Operating Temperature Range: -60°C to +100°C.
- Assembly Instruction Sheet: AI 307.
- Alternative certification options available:



Features

- When used in Increased Safety applications, this cable gland may be used with braided cable where the braid and the outer sheath pass into the enclosure. The braid must then be suitably terminated inside the enclosure.
- Manufactured in Brass (standard), Nickel Plated Brass, 316 Stainless Steel or Aluminium.
- Brass NPT entries are nickel plated as standard.

Ordering Information

Format for ordering is as follows: Alternative Seal (S), add suffix S to ordering information.

Cable Gland Type	Size	Thread	Material	(Optional)	Cable Gland Type	Size	Thread	Material	(Optional)
501/421	C	M32	Brass	S	501/421	C	1 ¼" NPT	Brass	S